



2.5A SWITCH STEP DOWN SWITCHING REGULATOR

PRELIMINARY DATA

- 2.5A INTERNAL SWITCH
- OPERATING INPUT VOLTAGE FROM 4.4V TO 36V
- 3.3V / ($\pm 2\%$) REFERENCE VOLTAGE
- OUTPUT VOLTAGE ADJUSTABLE FROM 1.235V TO 35V
- LOW DROPOUT OPERATION: 100% DUTY CYCLE
- 250KHz INTERNALLY FIXED FREQUENCY
- VOLTAGE FEEDFORWARD
- ZERO LOAD CURRENT OPERATION
- INTERNAL CURRENT LIMITING
- INHIBIT FOR ZERO CURRENT CONSUMPTION
- SYNCHRONIZATION
- PROTECTION AGAINST FEEDBACK DISCONNECTION
- THERMAL SHUTDOWN

APPLICATIONS:

- CONSUMER: STB, DVD, TV, VCR, CAR RADIO, LCD MONITORS
- NETWORKING: XDSL, MODEMS, DC-DC MODULES
- COMPUTER: PRINTERS, AUDIO/GRAPHIC CARDS, OPTICAL STORAGE, HARD DISK DRIVE
- INDUSTRIAL: CHARGERS, CAR BATTERY DC-DC CONVERTERS



DESCRIPTION

The L5973D is a step down monolithic power switching regulator with a minimum switch current limit of 2.5A so it is able to deliver more than 2A DC current to the load depending on the application conditions.

The output voltage can be set from 1.235V to 35V.

The high current level is also achieved thanks to an SO8 package with exposed frame, that allows to reduce the $R_{th(j-amb)}$ down to approximately 40°C/W

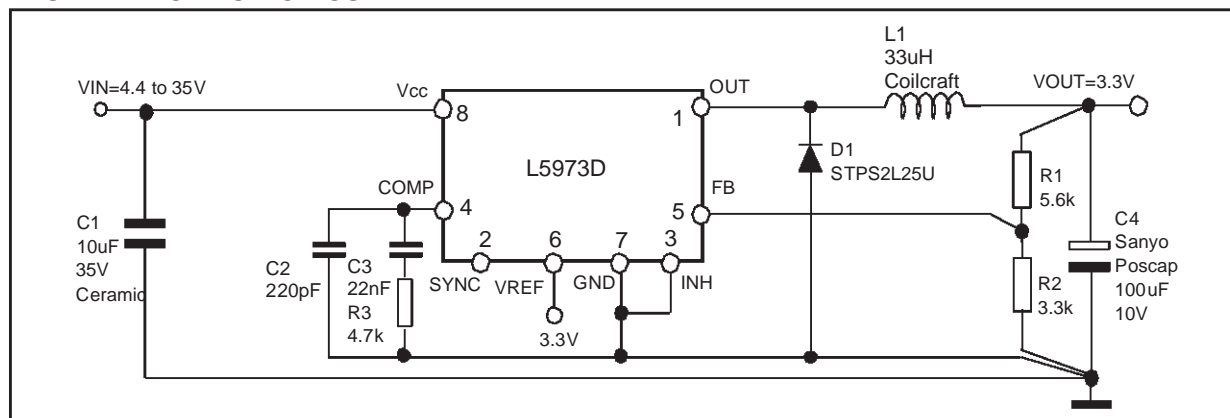
The device uses an internal P-Channel D-MOS transistor (with a typical R_{dson} of $250\text{m}\Omega$) as switching element to minimize the size of the external components.

An internal oscillator fixes the switching frequency at 250KHz.

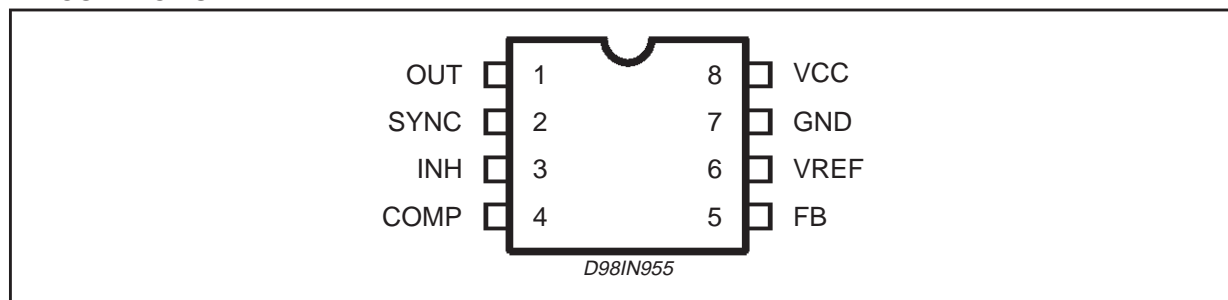
Having a minimum input voltage of 4.4V only, it is particularly suitable for 5V bus, available in all computer related applications.

Pulse by pulse current limit with the internal frequency modulation offers an effective constant current short circuit protection.

TEST APPLICATION CIRCUIT



PIN CONNECTION



PIN DESCRIPTION

N°	Pin	Function
1	OUT	Regulator Output.
2	SYNC	Master/slave synchronization.
3	INH	A logical signal (active high) disables the device. If INH not used the pin must be grounded. When it is open an internal pull-up disable the device.
4	COMP	E/A output for frequency compensation.
5	FB	Feedback input. Connecting directly to this pin results in an output voltage of 1.23V. An external resistive divider is required for higher output voltages.
6	VREF	3.3V V_{REF} No cap is requested for stability.
7	GND	Ground.
8	VCC	Unregulated DC input voltage.

THERMAL DATA

Symbol	Parameter	Value	Unit
$R_{th(j-amb)}$	Thermal Resistance Junction to ambient	Max. 40 (*)	°C/W

(*) Package mounted on board

ABSOLUTE MAXIMUM RATINGS

Symbol	Parameter	Value	Unit
V_8	Input Voltage	40	V
V_1	Output DC voltage Output peak voltage at $t = 0.1\mu s$	-1 to 40 -5 to 40	V V
I_1	Maximum output current	int. limit.	
V_4, V_5	Analog pins	4	V
V_3	INH	-0.3V to V_{CC}	
V_2	SYNC	-0.3 to 4	V
P_{tot}	Power dissipation at $T_{amb} \leq 60^\circ C$	2.25	W
T_j	Operating junction temperature range	-40 to 150	°C
T_{stg}	Storage temperature range	-55 to 150	°C

ELECTRICAL CHARACTERISTICS ($T_j = 25^\circ\text{C}$, $V_{CC} = 12\text{V}$, unless otherwise specified.)(*) Specification Referred to T_j from 0 to 125°C .

Symbol	Parameter	Test Condition		Min.	Typ.	Max.	Unit
V_{CC}	Operating input voltage range	$V_o = 1.235\text{V}; I_o = 2\text{A}$	*	4.4		36	V
V_d	Dropout voltage	$V_{CC} = 4.4\text{V}; I_o = 2\text{A}$	*		0.5	1	V
I_l	Maximum limiting current	$V_{CC} = 4.4\text{V to } 36\text{V}$	*	2.5	3	3.5	A
f_s	Switching frequency		*	212	250	280	KHz
				225	250	275	KHz
	Duty cycle			0		100	%
DYNAMIC CHARACTERISTICS (see test circuit).							
V_5	Voltage feedback	$4.4\text{V} < V_{CC} < 36\text{V},$ $20\text{mA} < I_o < 2\text{A}$		1.220	1.235	1.25	V
			*	1.198	1.235	1.272	V
η	Efficiency	$V_o = 5\text{V}, V_{CC} = 12\text{V}$			90		%
DC CHARACTERISTICS							
I_{qop}	Total Operating Quiescent Current		*		3	5	mA
I_q	Quiescent current	Duty Cycle = 0; $V_{FB} = 1.5\text{V}$				2.5	mA
I_{qst-by}	Total stand-by quiescent current	$V_{inh} > 2.2\text{V}$	*		50	100	μA
		$V_{CC} = 36\text{V}; V_{inh} > 2.2\text{V}$	*		80	150	μA
INHIBIT							
	INH Threshold Voltage	Device ON				0.8	V
		Device OFF		2.2			V
ERROR AMPLIFIER							
V_{OH}	High level output voltage	$V_{FB} = 1\text{V}$		3.5			V
V_{OL}	Low level output voltage	$V_{FB} = 1.5\text{V}$				0.4	V
$I_{o\ source}$	Source output current	$V_{COMP} = 1.9\text{V}; V_{FB} = 1\text{V}$		200	300		μA
$I_{o\ sink}$	Sink output current	$V_{COMP} = 1.9\text{V}; V_{FB} = 1.5\text{V}$		1	1.5		mA
I_b	Source bias current				2.5	4	μA
	DC open loop gain	$R_L = \infty$		50	57		dB
g_m	Transconductance	$I_{comp} = -0.1\text{mA to } 0.1\text{mA}$ $V_{COMP} = 1.9\text{V}$			2.3		mS
SYNC FUNCTION							
	High Input Voltage	$V_{CC} = 4.4\text{V to } 36\text{V}$		2.5		V_{REF}	V
	Low Input Voltage	$V_{CC} = 4.4\text{V to } 36\text{V}$				0.74	V
	Slave Sink Current	$V_{sync} = 0.74\text{V}$ $V_{sync} = 2.33\text{V}$		0.11		0.25	mA
				0.21		0.45	mA
	Master Output Amplitude	$I_{source} = 3\text{mA}$		2.75	3		V
	Output Pulse Width	no load, $V_{sync} = 1.65\text{V}$		0.20	0.35		μs
REFERENCE SECTION							
	Reference Voltage			3.234	3.3	3.366	V
		$I_{REF} = 0\text{ to } 5\text{mA}$ $V_{CC} = 4.4\text{V to } 36\text{V}$	*	3.2	3.3	3.399	V
	Line Regulation	$I_{REF} = 0\text{mA}$ $V_{CC} = 4.4\text{V to } 36\text{V}$			5	10	mV
	Load Regulation	$I_{REF} = 0\text{ to } 5\text{mA}$			8	15	mV
	Short Circuit Current			10	8	30	mA

Figure 1. Line Regulation

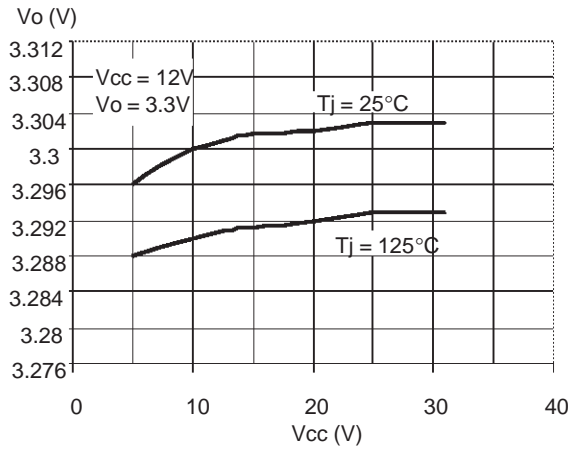


Figure 4. Shutdown Current vs. Junction Temperature

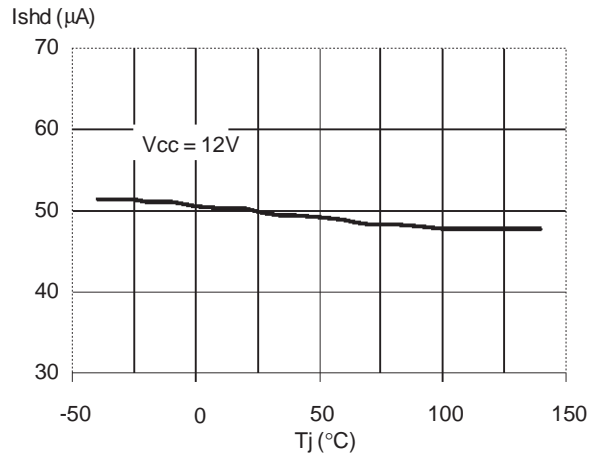


Figure 2. Output Voltage vs. Junction Temperature

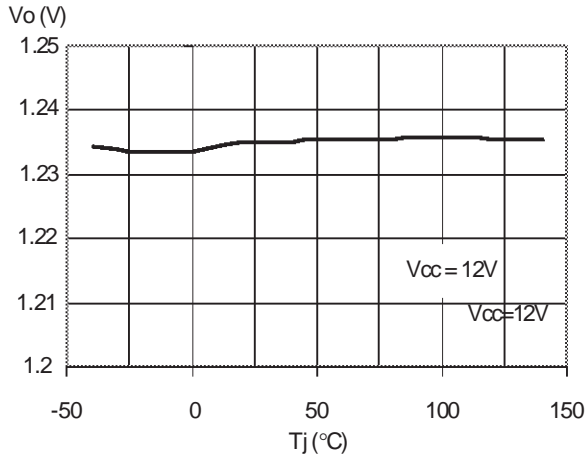


Figure 5. Switching Frequency vs. Junction Temperature

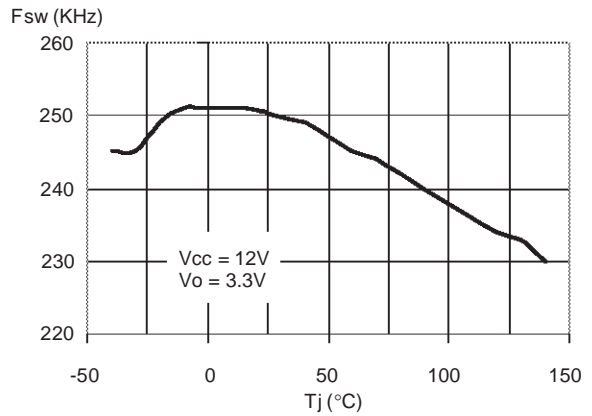
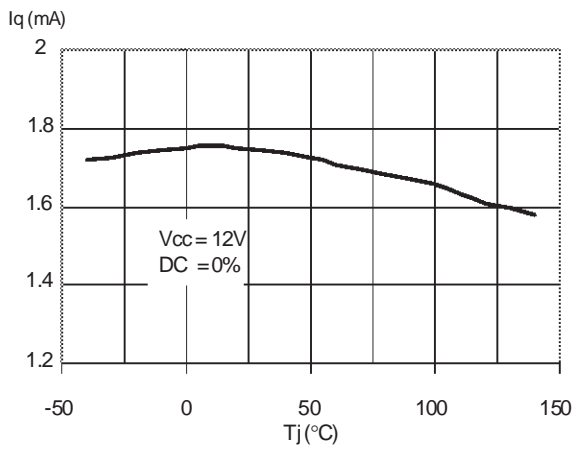


Figure 3. Quiescent Current vs. Junction Temperature



APPLICATION CIRCUIT

In figure 6 is shown the demo board application circuit, where the input supply voltage, V_{CC} , can range from 4.4V to 25V due to the rated voltage of the input capacitor and the output voltage is adjustable from 1.235V to V_{CC} .

Figure 6. Demo board Application Circuit

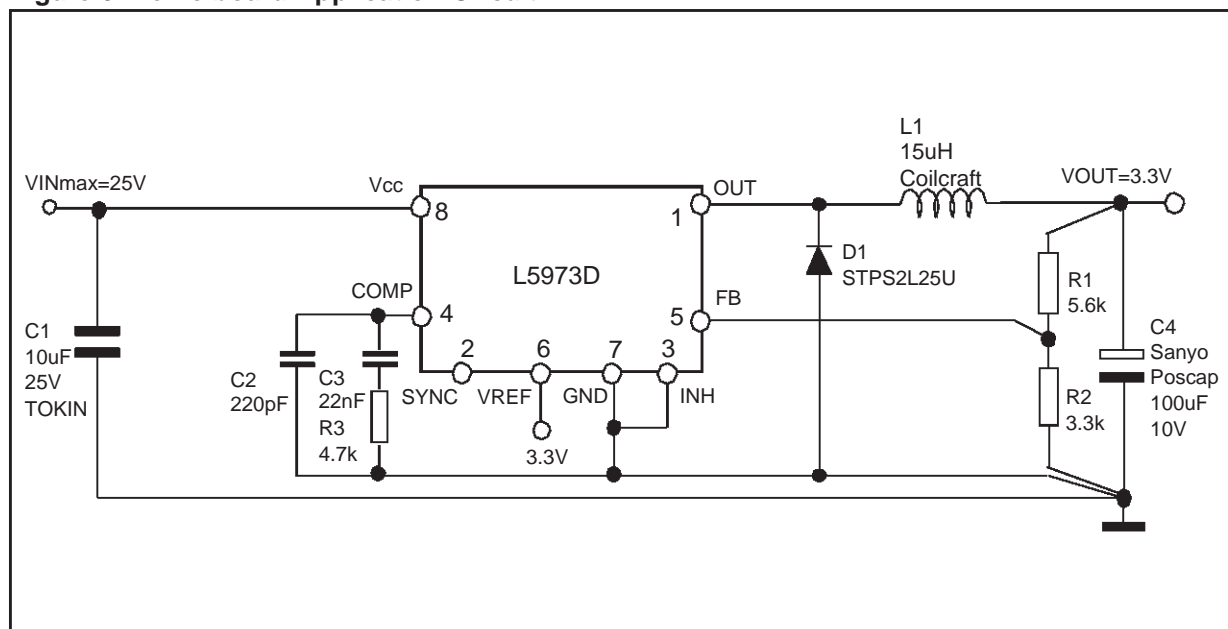


Table 1. Component List

Reference	Part Number	Description	Manufacturer
C1		10 μ F, 25V	TOKIN
C2	10TPB100M	100 μ F, 10V	Sanyo, POSCAP
C3	C1206C221J5GAC	220pF, 5%, 50V	KEMET
C4	C1206C223K5RAC	22nF, 10%, 50V	KEMET
R1		5.6K, 1%, 0.25W	Neohm
R2		3.3K, 1%, 0.25W	Neohm
R3		2.7K, 1%, 0.25W	Neohm
D1	STPS2L25U	2A, 25V	ST
L1	DO3316P-153	15 μ H, 3A	COILCRAFT

Figure 7. PCB layout (component side)

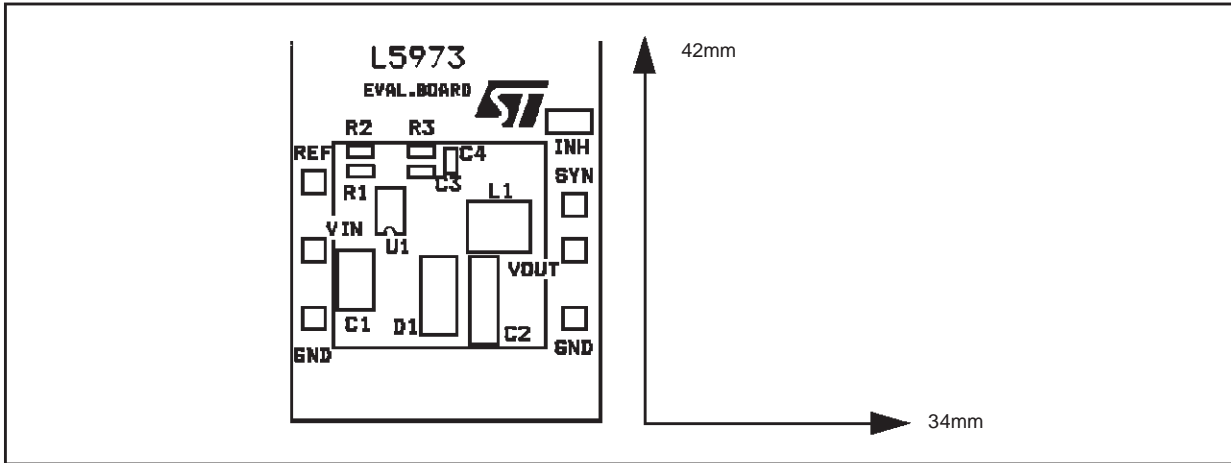


Figure 8. PCB layout (bottom side)

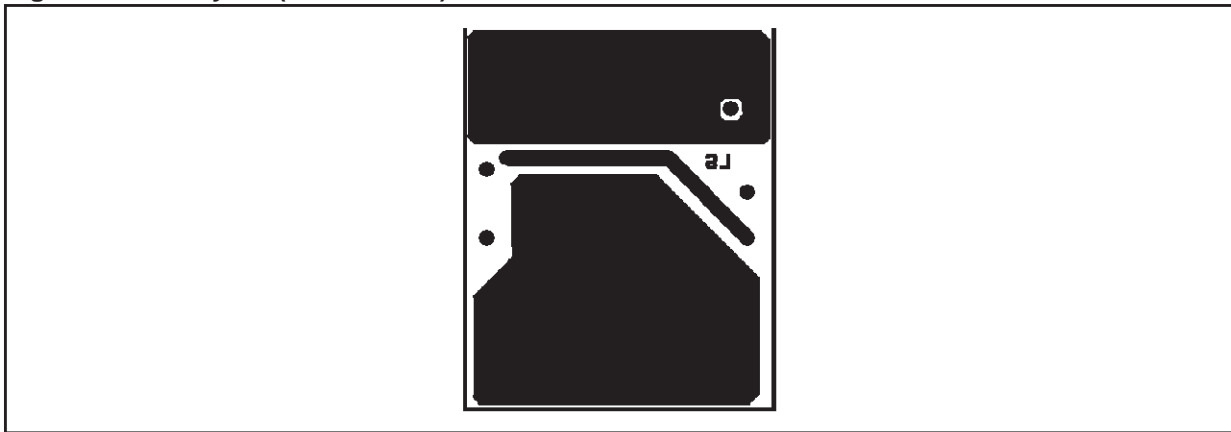
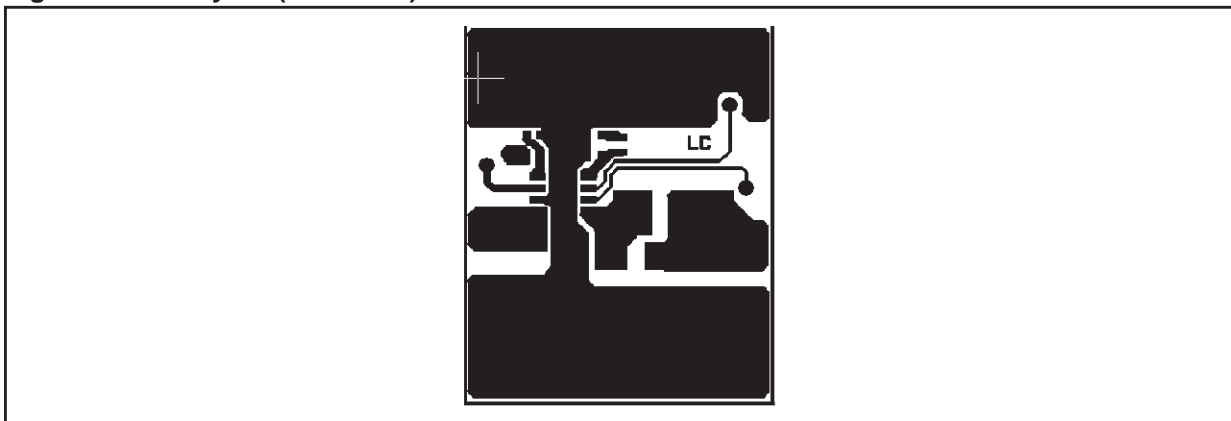


Figure 9. PCB layout (front side)



Below some graphs show the T_j versus output current in different conditions of the input and output voltage and some efficiency measurements.

Figure 10. Junction Temperature vs. Output Current ($V_{CC} = 5V$)

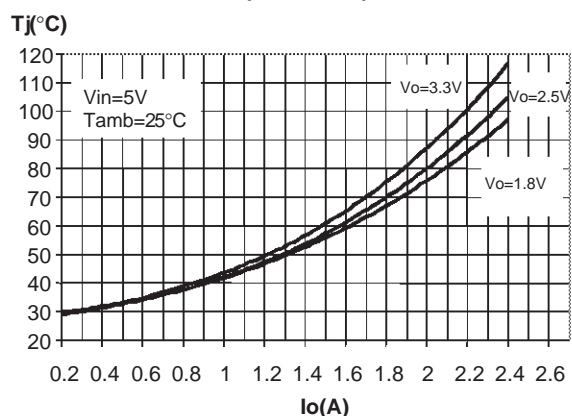


Figure 12. Efficiency vs. Output Current ($V_{CC} = 5V$)

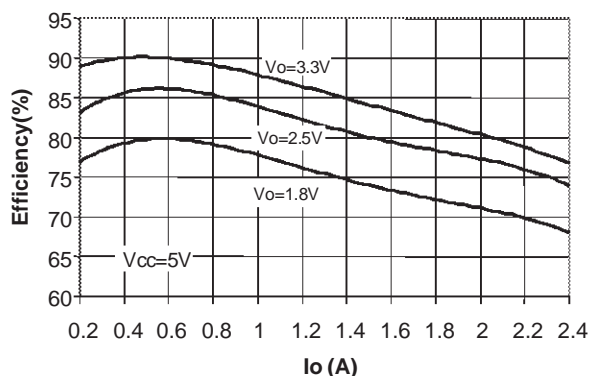


Figure 11. Junction Temperature vs. Output Current ($V_{CC} = 12V$)

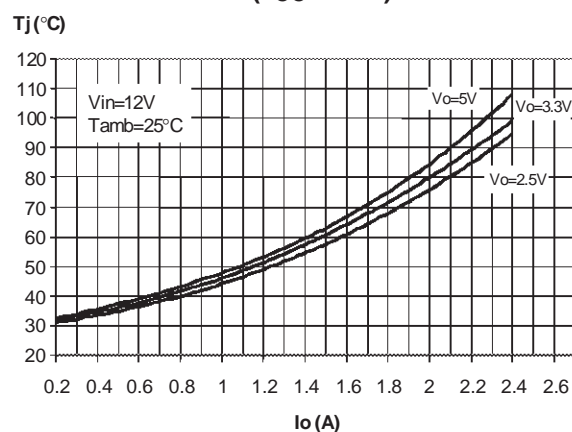
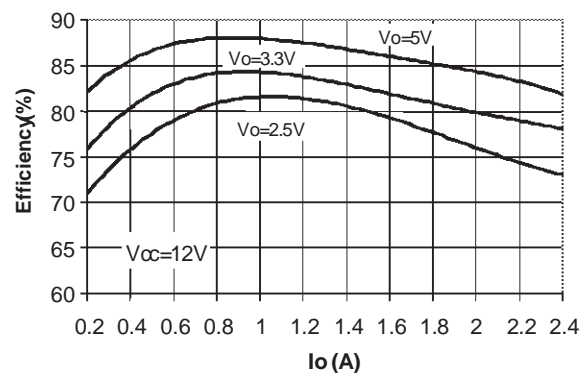


Figure 13. Efficiency vs. Output Current ($V_{CC} = 12V$)



APPLICATION IDEAS

Figure 14. Positive Buck-Boost regulator

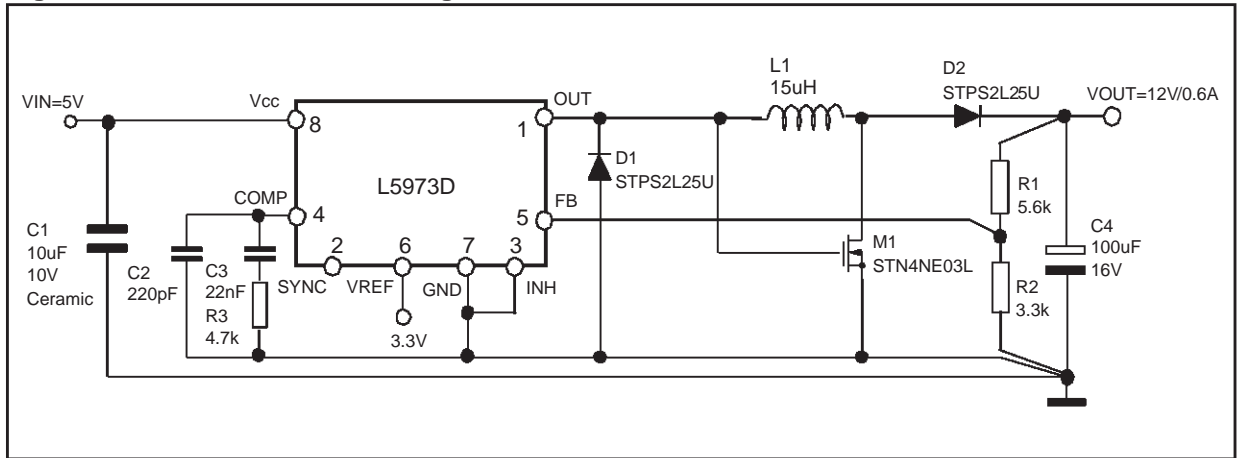


Figure 15. Buck-Boost regulator

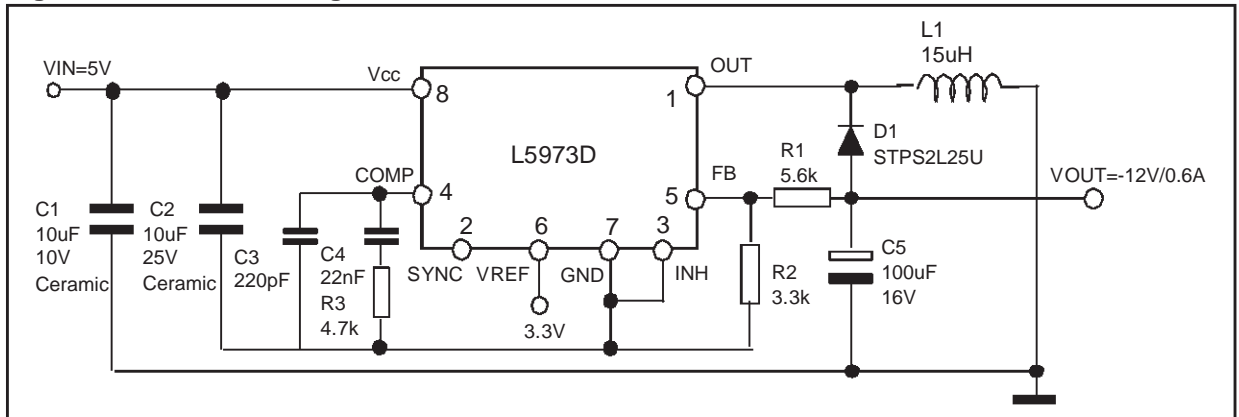
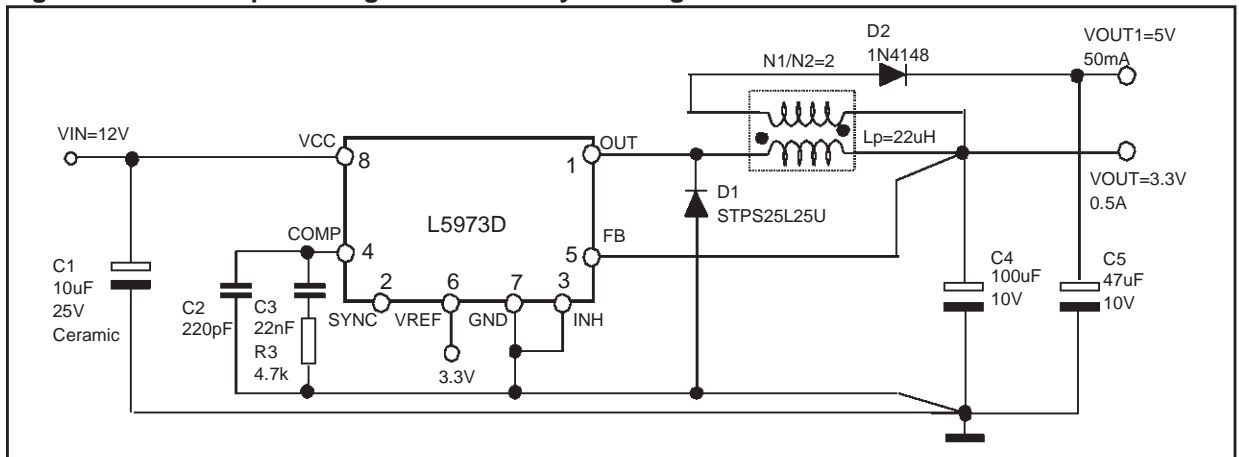


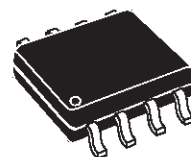
Figure 16. Dual output voltage with auxiliary winding



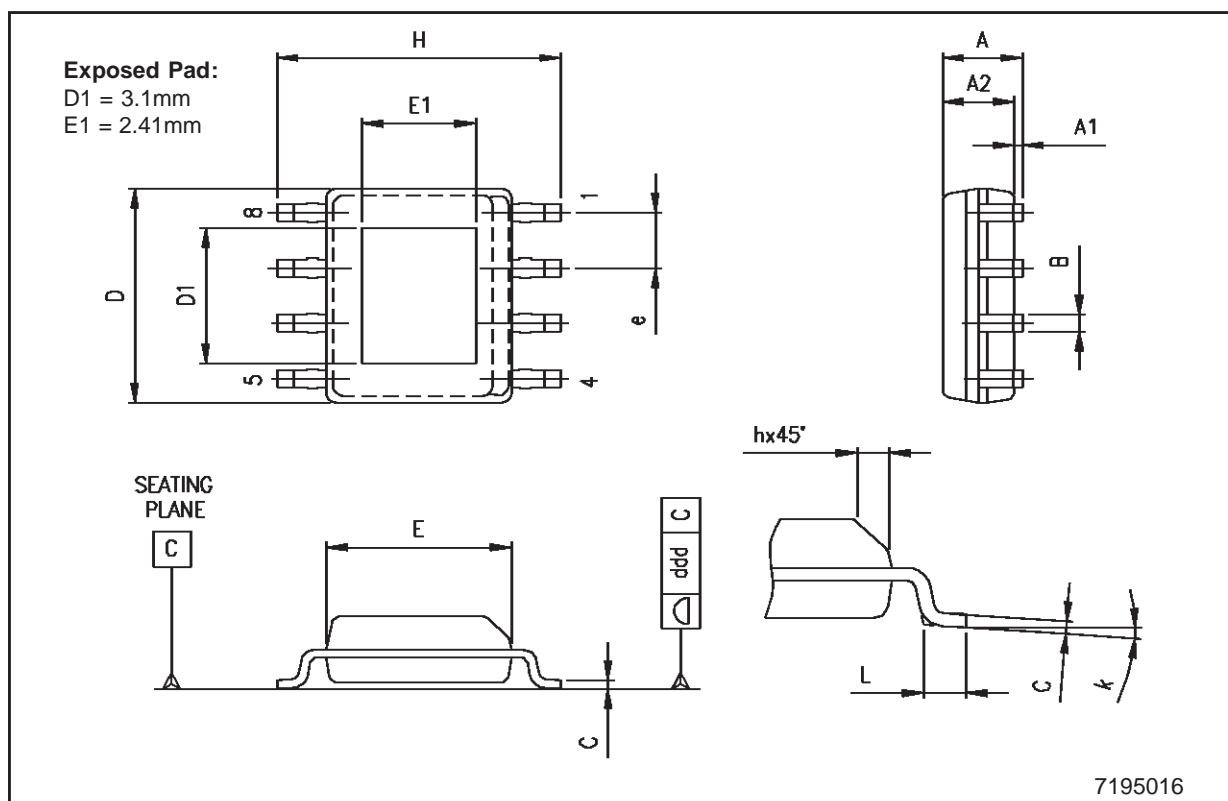
DIM.	mm			inch		
	MIN.	TYP.	MAX.	MIN.	TYP.	MAX.
A	1.350		1.750	0.531		0.069
A1	0.100		0.250	0.004		0.010
A2	1.100		1.650	0.043		0.065
B	0.330		0.510	0.013		0.020
C	0.190		0.250	0.07		0.010
D	4.800		5.000	0.189		0.197
E	3.800		4.000	0.150		0.157
e		1.270			0.05	
H	5.800		6.200	0.228		0.244
h	0.250		0.500	0.010		0.020
L	0.400		1.270	0.016		0.05
k	0° (min), 8° (max)					
ddd			0.100			0.010

(1) Dimension D does not include mold flash, protusions or gate burrs shall not exceed 0.15mm (both side).

OUTLINE AND MECHANICAL DATA



HSOP8 (Exposed Pad)



Information furnished is believed to be accurate and reliable. However, STMicroelectronics assumes no responsibility for the consequences of use of such information nor for any infringement of patents or other rights of third parties which may result from its use. No license is granted by implication or otherwise under any patent or patent rights of STMicroelectronics. Specifications mentioned in this publication are subject to change without notice. This publication supersedes and replaces all information previously supplied. STMicroelectronics products are not authorized for use as critical components in life support devices or systems without express written approval of STMicroelectronics.

The ST logo is a registered trademark of STMicroelectronics
© 2002 STMicroelectronics - All Rights Reserved

STMicroelectronics GROUP OF COMPANIES
Australia - Brazil - Canada - China - Finland - France - Germany - Hong Kong - India - Israel - Italy - Japan -Malaysia - Malta - Morocco -
Singapore - Spain - Sweden - Switzerland - United Kingdom - United States.
<http://www.st.com>